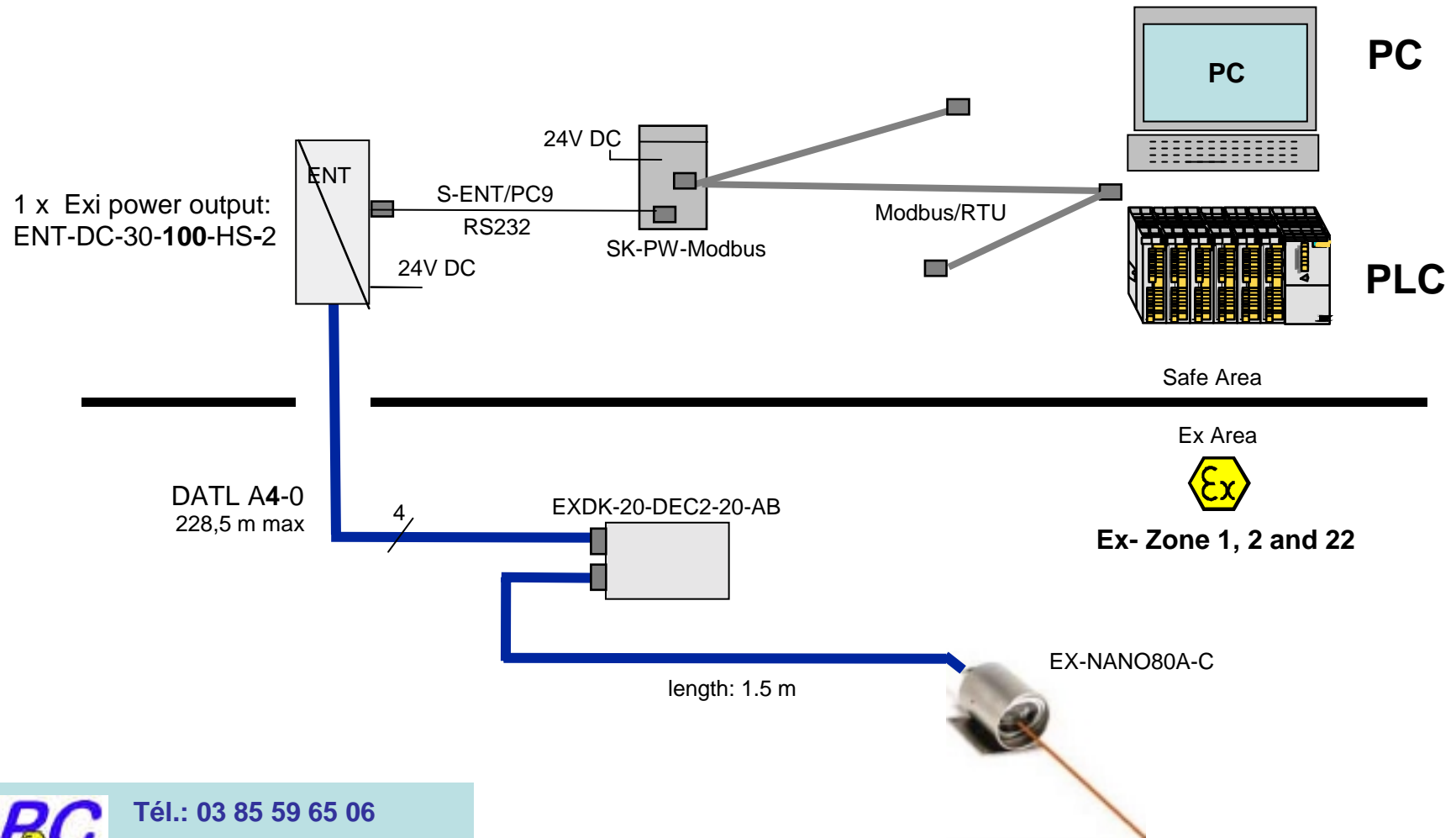
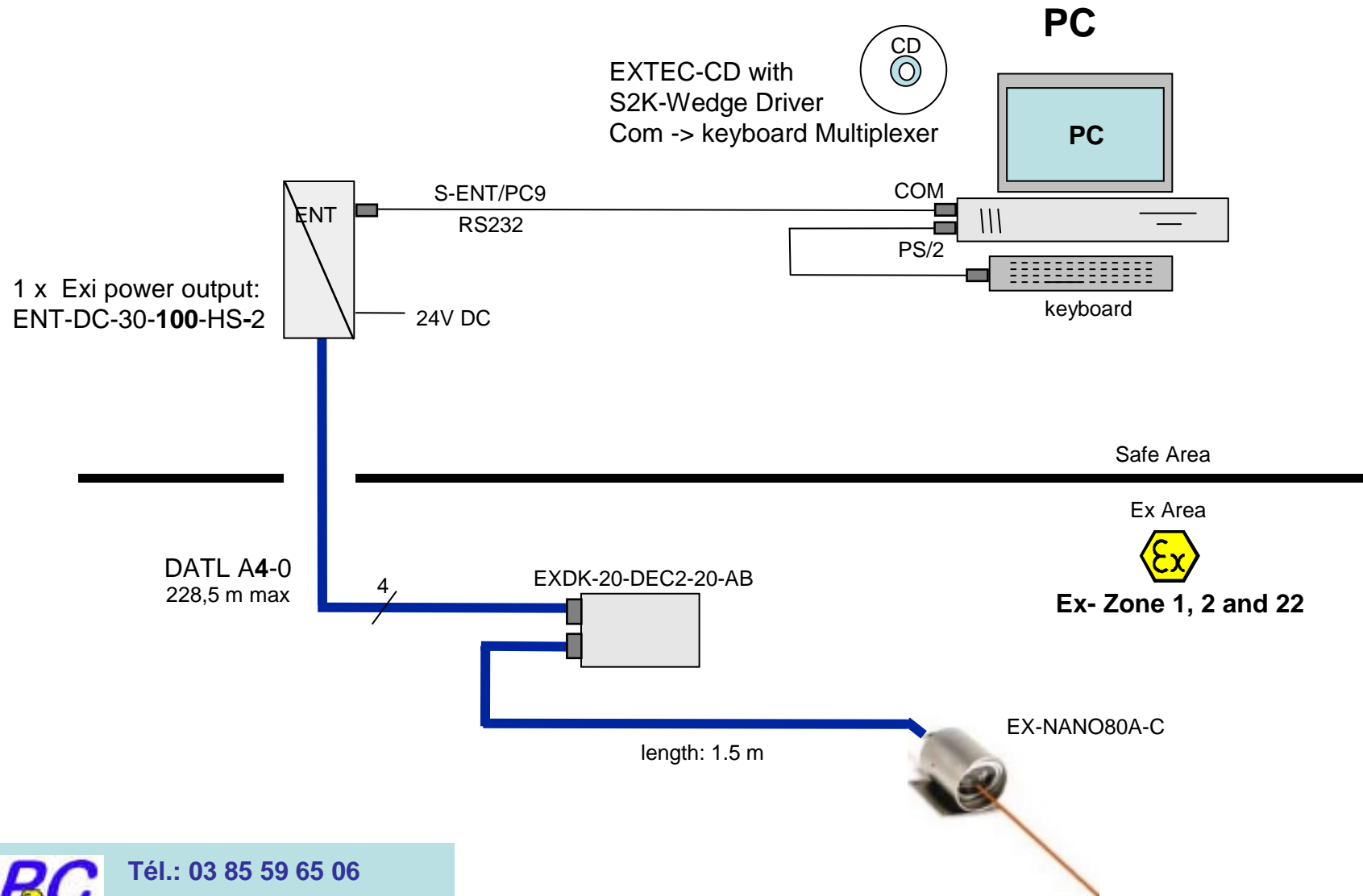


SCANEX EX-NANO80A stand alone with Modbus/RTU interface (slave)



SCANEX EX-NANO80A stand alone with S2K keyboard interface software



SCANEX

EX-NANO80A-C

stand alone with Profibus-DP interface

