

## TASTEX

**Exi pc keyboards for the hazardous area**  
Category II 2G (zone 1 + 2)



# TASTEX - KEYBOARDS FOR THE HAZARDOUS AREA

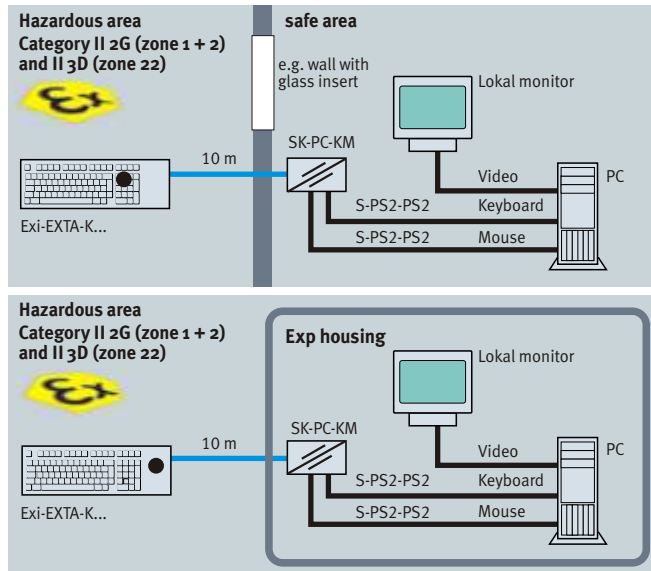
## TECHNICAL DATAS

### EXTA-K... EXI-KEYBOARDS

... directly connected to a PC with the Exi Interface SK-PC-KM

### EXTA MEMBRANE KEYBOARDS

keyboard only  
with Track Ball  
with Touch Pad



**EXTA-K1:** Exi Keyboard without Mouse

**EXTA-K3:** Exi Keyboard with Track Ball, diameter 51mm, Microsoft Mouse compatilby, PS/2

**EXTA-K4:** Exi Keyboard with Touchpad, Farea 60x50 mm, Capazitive, Microsoft Mousecompatilby, PS/2

Ex protection	⊕ II 2G EEx ib IIC T4, DMT 01 ATEX E 177
IP protection	front IP 65
Tasten	105 short stroke, about 3 mio. strokes
Front Panel	aluminium with polyester fail
Layouts	german (QWERTZ), US intern. (QWERTY), franz. (AZERTY), ....
Mouse	Microsoft PS/2 mouse compatilby
Keyboard	PS/2 PC compatilby
Power supply	über SK-PC-KM Interface
Exi-Cable	10 m to be connected to SK-PC-KM interface (terminated)
Ambient Temperature	Betrieb 0 °C...+50 °C
Dimensions (WxHxD)	482,6 x 177,8 x 45 mm
Cutout Dimensions (LxW)	450 x 150 mm
Weight	1,2 Kg

### ABG-EXTA, Stainless Steel

IP protection	IP 65
Dimensions (WxHxD)	508 x 213 x 52 mm
Weght	5,4 kg

### SK-PC-KM, IS Keyboard and Mouse Interface

Ex protection	⊕ II 2G [EExib] IIC, DMT 02 ATEX E 140X
Mounting	in the safe area
IP protection	IP 20
PC Interface	2 x PS/2
Power supply	via PC keyboard interface
Interface cables	PC zu SK-PC-KM 1,8 m, 2 x PS/2 Kabel
Ambient Temperature	Betrieb 0 °C ...+60 °C
Housing	Aluminium, Din-Rail or surface mount
Dimensions (WxHxD)	68 x 108 x 168 mm



[www.pepperl-fuchs.com](http://www.pepperl-fuchs.com)

Phone +49 621 776-2222 · Fax +49 621 776-27-2222 · E-Mail: [pa-info@de.pepperl-fuchs.com](mailto:pa-info@de.pepperl-fuchs.com)

#### Worldwide Headquarters

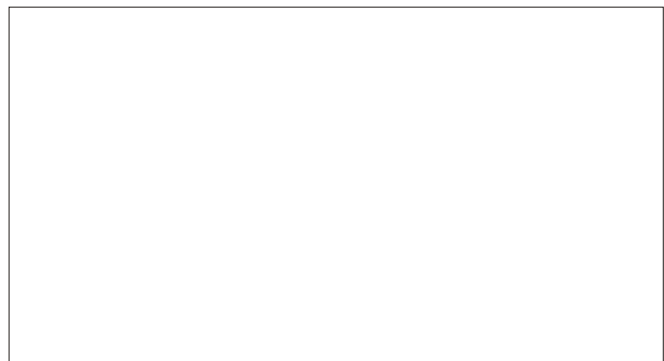
Pepperl+Fuchs GmbH · Königsberger Allee 87  
68307 Mannheim · Germany  
Phone +49 621 776-0 · Fax +49 621 776-1000  
E-mail: [info@de.pepperl-fuchs.com](mailto:info@de.pepperl-fuchs.com)

#### USA Headquarters

Pepperl+Fuchs Inc. · 1600 Enterprise Parkway  
Twinsburg, Ohio 44087 · USA  
Phone +1 330 4253555 · Fax +1 330 4254607  
E-mail: [sales@us.pepperl-fuchs.com](mailto:sales@us.pepperl-fuchs.com)

#### Asia Pacific Headquarters

Pepperl+Fuchs Pte Ltd. · P+F Building  
18 Ayer Rajah Crescent · Singapore 139942  
Company Registration No. 199003130E  
Phone +65 67799091 · Fax +65 68731637  
E-mail: [sales@sg.pepperl-fuchs.com](mailto:sales@sg.pepperl-fuchs.com)



**PEPPERL+FUCHS**  
SIGNALS FOR THE WORLD OF AUTOMATION